

YTK GB-3500T 5M Heavy type projector lift

(Close, normal & services setting)



Descriptions

It can be hidden in the ceiling(close mode), And down to the projection position (normal mode), with down on the ground (services mode).

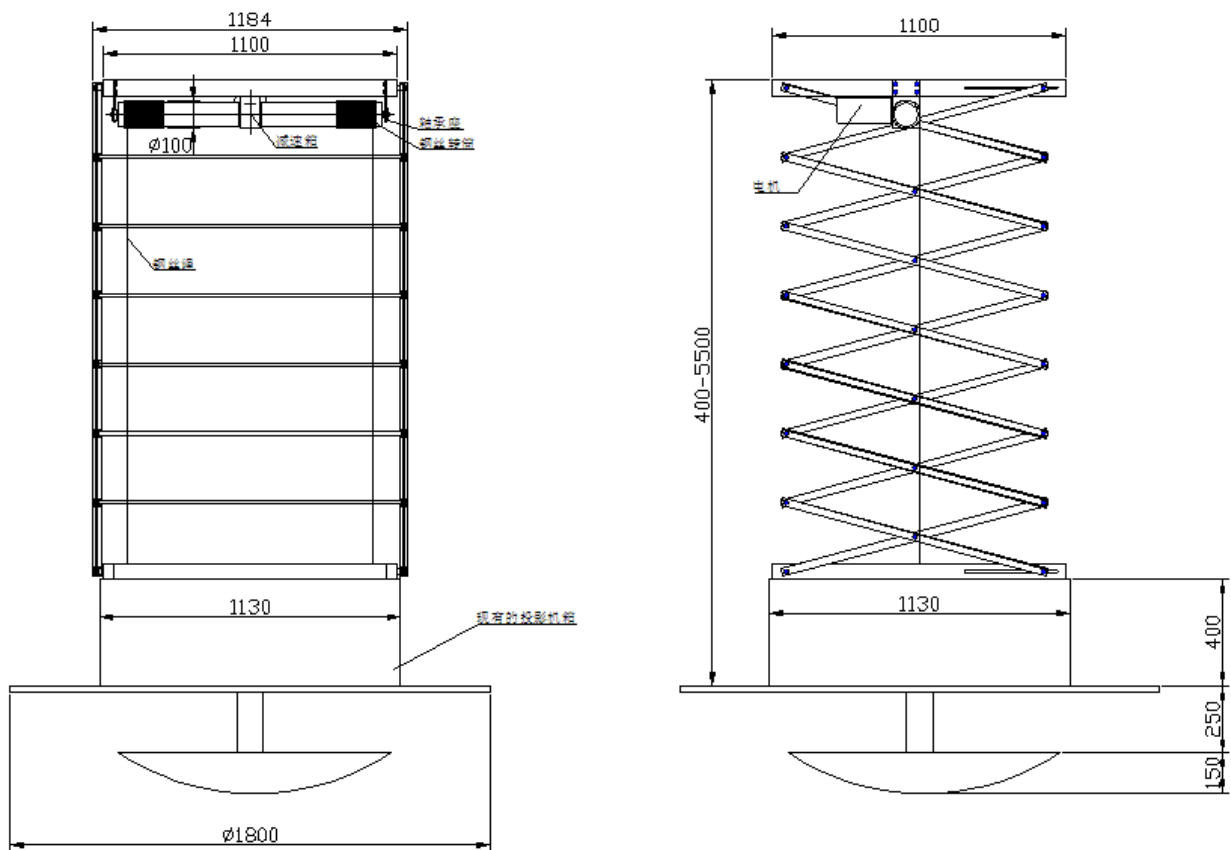
Features

- 5M Heavy type projector lift
- Supply RS232/RS485, Including: Manual and wireless remote control
- Function: Up, Down, stop
- Material: Iron of A3, Steel wire
- Steel wire rope up to 4mm diameter
- damping motor , Brake Function
- The left / right is 7 groups scissors x 2 , Three section of distance corrections for lift function (close , normal & services setting)
- The adjustable projector angle mount bracket (the left/right 0-30 ° ; Up/Down 0-40 °)
- Automatic setting of Two section: stop
- Color: Phenolic plastics , Surface treatment: Bake of high temperature, Black /White

Specification

- Motion max distance: 5000mm (distance: 400-5000mm)
- Weight: 150kg
- Load weight: 300kg
- Board size L x W (mm): No
- Between true ceiling and false ceiling the height(mm): 400
- Power Supply: 220 V / 50 ~ 60 Hz
- Lift Dimension(W x D x H): 1184 x 1100 x 400
- Dimension of Low plate (W x D): 1130 x 1130mm

Drawing



Built-in Wireless control:

- Control mode : RF wireless control
- Function: Up, Down, stop



Site Photo



Suitable use:

Hall, Lecture Theaters, Cinemas, Council Chamber

Warranty: 12 Month

(OPTIONAL) Safety / Loading testing certificate:

- FORM 4 and FORM 5 Loading testing certificate (12 Month) for LCD TV Turn over Ceiling Lift
- Factories and Industrial Undertakings (Lifting Appliances and Lifting Gear) Regulations.
- Certificate of test and thorough examination of lifting appliances(except cranes, crabs and winches).
- Form approved by the commissioner for Labour for the purposes of regulation of the Factories and Industrial Undertakings (Lifting Appliances and Lifting Gear) Regulations.
- Signature of Registered Professional Engineer

CB CE